

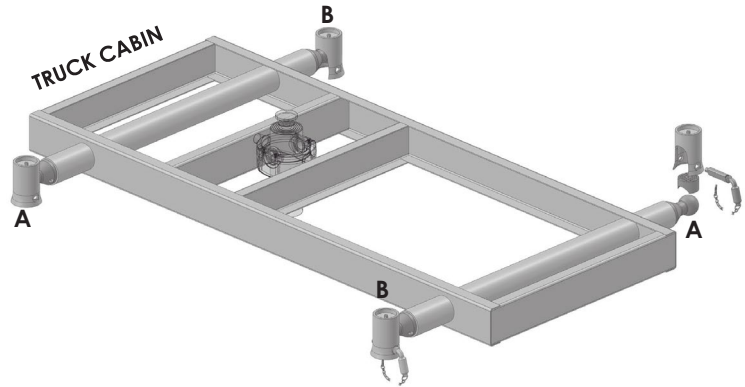
BK32480

ø80mm No-Noise Ball, 24,000Kg

BODY HARDWARE

Premium Italian-manufactured body hardware:

- No-Noise Ball
- 80mm Ball
- Max Load Capacity: 24,000 kg



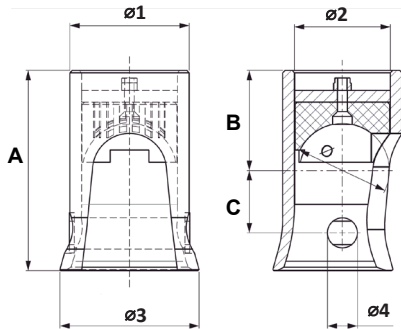
Each similar pair is to be installed diagonally opposed.



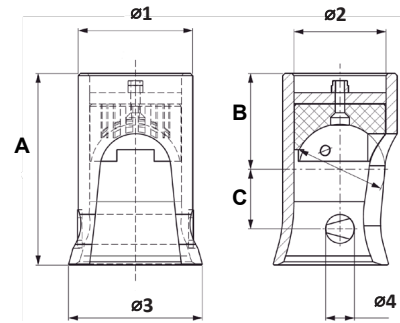
ø80mm BALL 3 WAY TIPPING KIT												
Kit Part Number	Component Part Number	Description	Qty	Diam.	ø1	ø2	ø3	ø4	A	B	C	
					mm							
BK32480 80mm	BH03092100	TYPE 1 BALL SUPPORT ø80	2	80	102	82	119	25	170	85	53.5	
	BH03092200	TYPE 2 BALL SUPPORT ø80	2		102	82	119	25	170	85	53.5	
	BH03092000	BALL ø80	4		52	90	97		108	10		
	BH03092300A	TYPE 1 PIN ø80	1						120.5	65	92	
	BH03092400A	TYPE 2 PIN ø80	1						120.5	65	92	
	BH03092113	PLASTIC INSERT	4		80.9				58	51		
	BH0309212201	CAP SCREW	4									



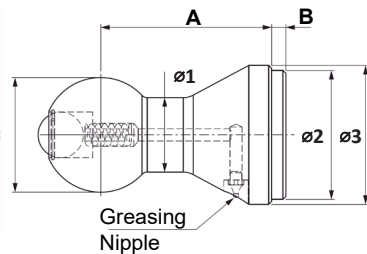
BH03092100
TYPE 1



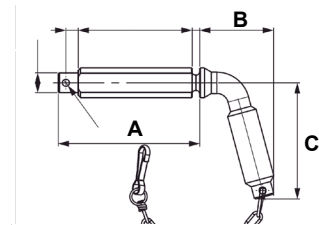
BH03092200
TYPE 2



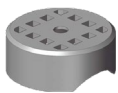
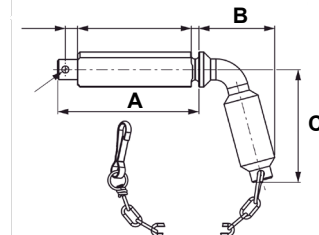
BH03092000



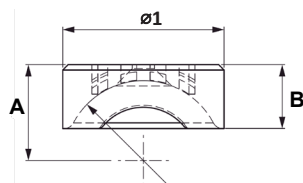
BH03092300A
TYPE 1



BH03092400A
TYPE 2



BH03092113



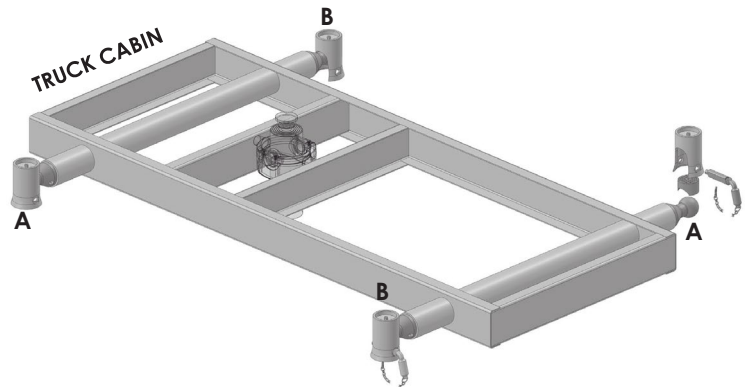
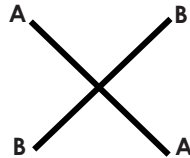
BK31260

Ø60mm No-Noise Ball, 12,000Kg

Premium Italian-manufactured body hardware:

- No-Noise Ball
- 60mm Ball
- Max Load Capacity: 12,000 kg

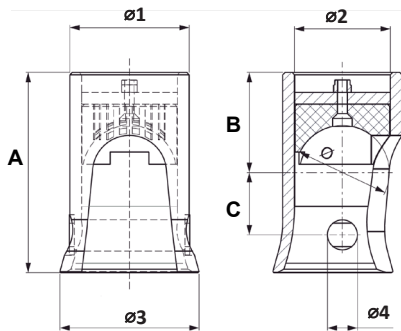
Each similar pair is to be installed diagonally opposed.



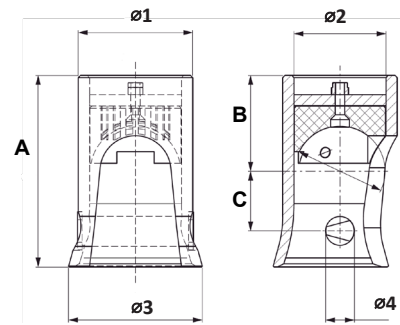
Ø60mm BALL 3 WAY TIPPING KIT											
Kit Part Number	Component Part Number	Description	Qty	Diam.	Ø1	Ø2	Ø3	Ø4	A	B	C
					mm						
BK32460 60mm	BH03091100	TYPE 1 BALL SUPPORT Ø60	2	60	76	62	86	20	125	60	41
	BH03091200	TYPE 2 BALL SUPPORT Ø60	2		76	62	86	20	125	60	41
	BH03091000	BALL Ø60	4		35	65	65		120		
	BH03091300A	TYPE 1 PIN Ø60	1						95	50	68
	BH03091400A	TYPE 2 PIN Ø60	1						95	50	68
	BH03091113	PLASTIC CAP Ø60	4		61				36	24	
	BH08059701	CAP SCREW	4								



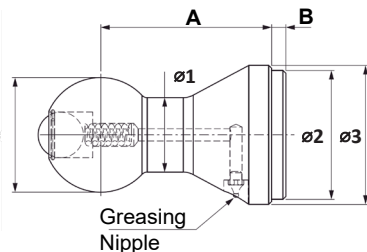
BH03091100
TYPE 1



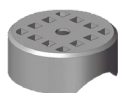
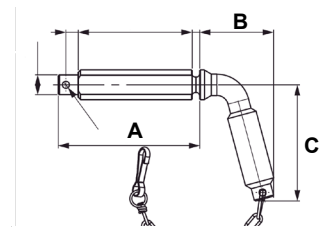
BH03091200
TYPE 2



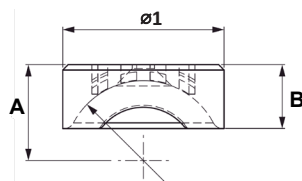
BH03091000



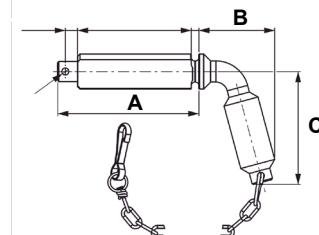
BH03091300A
TYPE 1



BH03091113



BH03091400A
TYPE 2



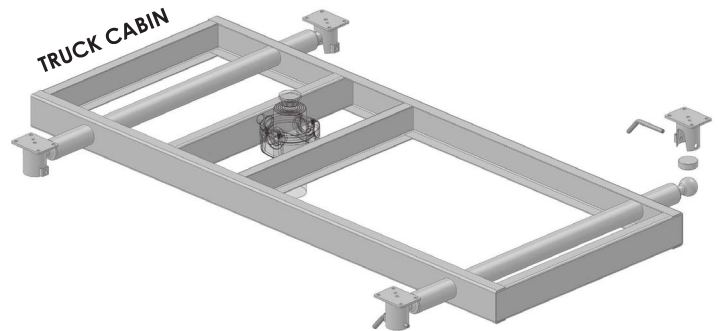
BK30250

Ø50mm Ball, 2,000kg

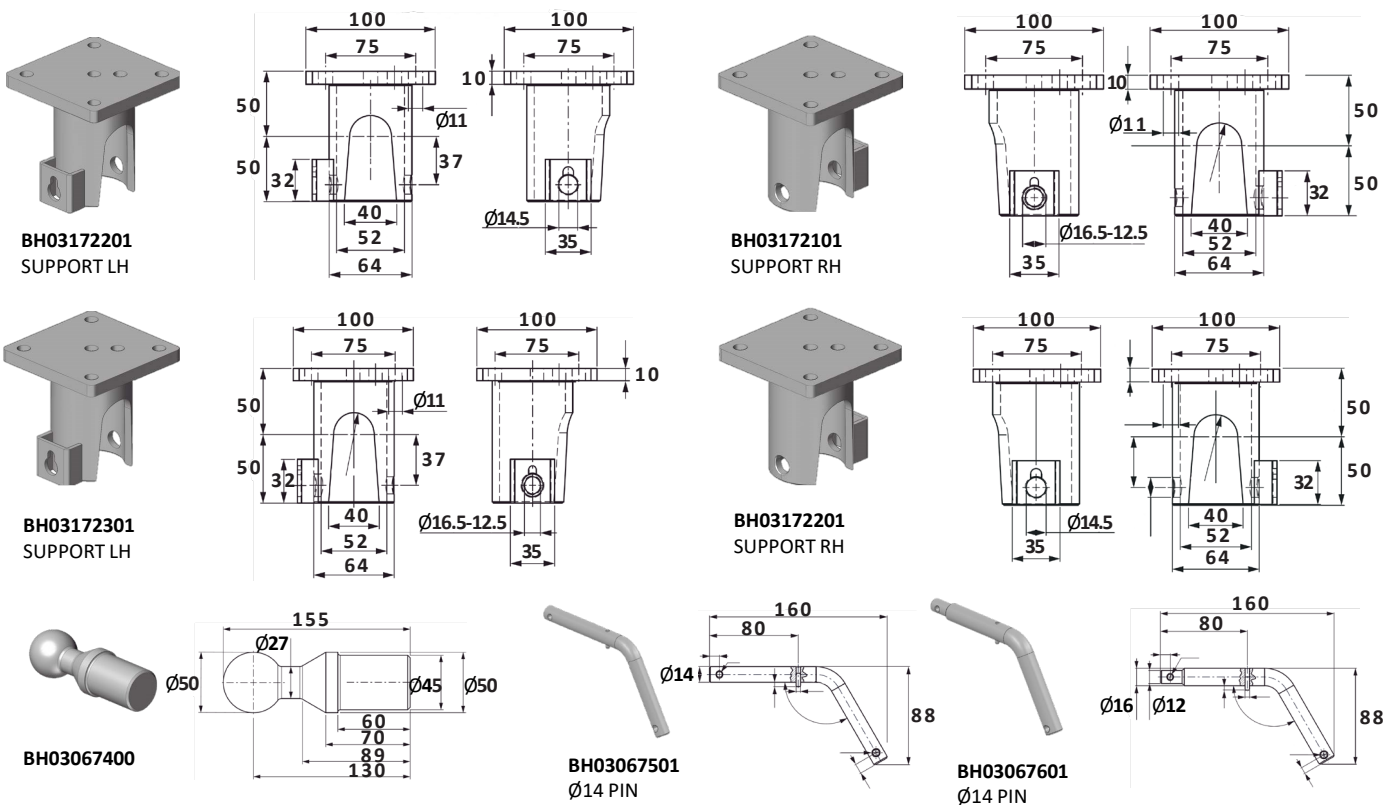
BODY HARDWARE

Premium Italian-manufactured body hardware:

- 50mm Ball
- Including Balls & Sockets
- Max Load Capacity: 2,000 kg



Ø50mm BALL 3 WAY TIPPING KIT				
Kit Part Number	Component Part Number	Description	Qty	Diam.
				mm
BK30250 50mm	BH03172001	Ø50 BALL SUPPORT LH	1	50
	BH03172101	Ø50 BALL SUPPORT RH	1	
	BH03172301	Ø50 BALL SUPPORT LH	1	
	BH03172201	Ø50 BALL SUPPORT RH	1	
	BH03067400	Ø50 BALL	4	
	BH03067501	Ø14 ZINC PLATED PIN	1	
	BH03067601	Ø16 ZINC PLATED PIN	1	
	BH03067313	PLASTIC CAP	4	

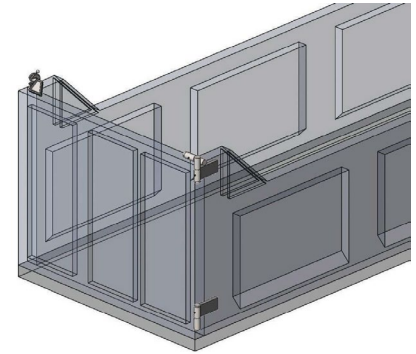


SIDE SWING KITS

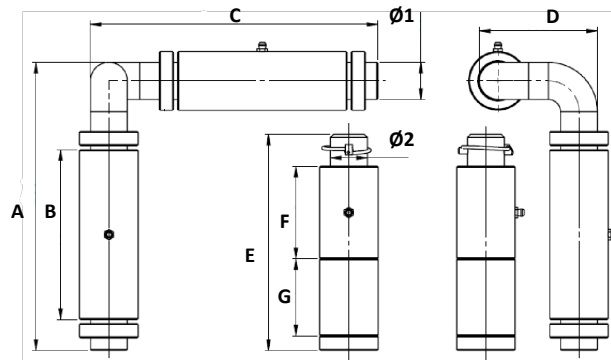
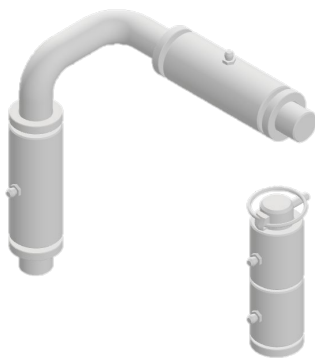
BODY HARDWARE

Premium Italian-manufactured body hardware:

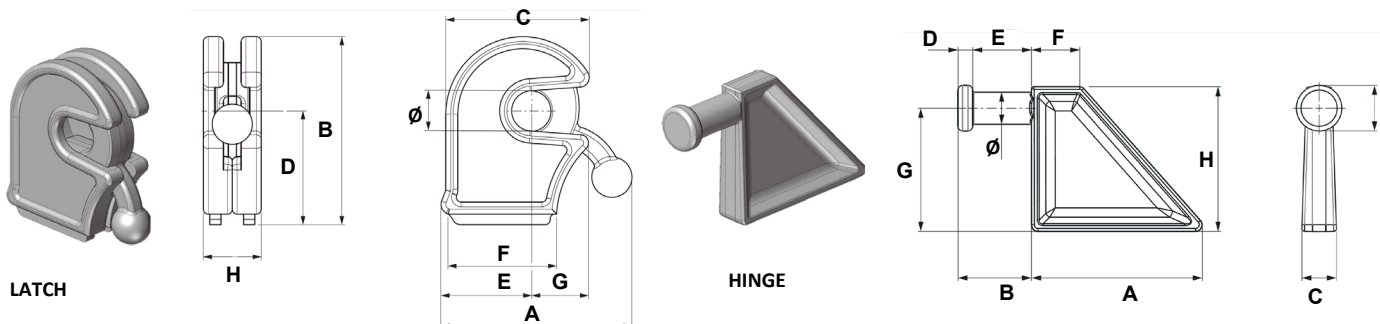
- Different sizes available for light, medium, and heavy-duty application



SIDE SWING KITS											
Kit Part Number	Description	Qty	Ø1	Ø2	A	B	C	D	E	F	G
			mm								
BK90025 Ø25	REAR DOOR HINGE Ø25	1	25	25	195	100	210	110	127	50	50
BK90036 Ø36	REAR DOOR HINGE Ø40	1	36	36	280	165	280	115	210	90	75



TAILGATE CATCHES KITS												
Kit Part Number	Component Part Number	Description	Qty	Ø	A	B	C	D	E	F	G	H
				mm								
BK10020 Ø21	BH02103400	LATCH - LIGHT Ø21	1	21	105	110	83	67	51	59	35	37
	BH02103800	HINGE - LIGHT	1	20	127	51	26	9	42	38	92	108
BK10025 Ø25	BHF2054000	LATCH - MEDIUM Ø25	1	25	104	115	88	69	52	61	32	39
	BH02054100	HINGE - MEDIUM	1	24	130	55	25	10	45	31	94	110
BK10030 Ø31	BHF2054200	LATCH - HEAVY Ø31	1	31	122	122	97	72	60	82	39	40
	BH02054400	HINGE - HEAVY	1	30	138	57	34	12	45	49	102	117
BK10040 Ø40	BHF2054600	LATCH - EXTRA HEAVY Ø40	1	41	145	138	105	80	58	96	48	46
	BH02054700	HINGE - EXTRA HEAVY	1	40	132	67	32	14	53	36	100	120



Body Hardware V1.21/06/2023

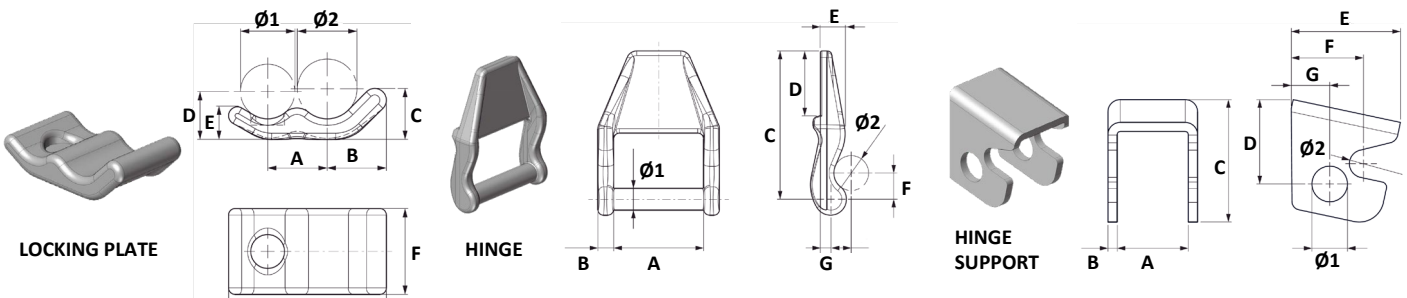
HINGES & CATCHES KITS

BODY HARDWARE

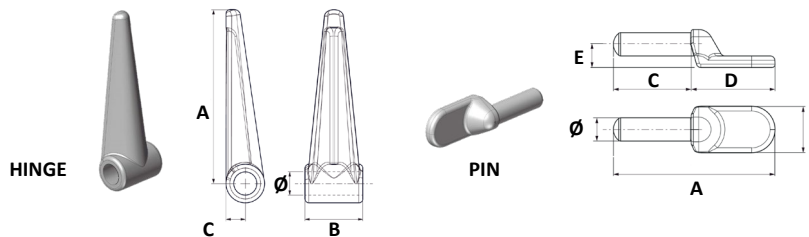
Premium Italian-manufactured body hardware:

- Different sizes available for light, medium, and heavy-duty application

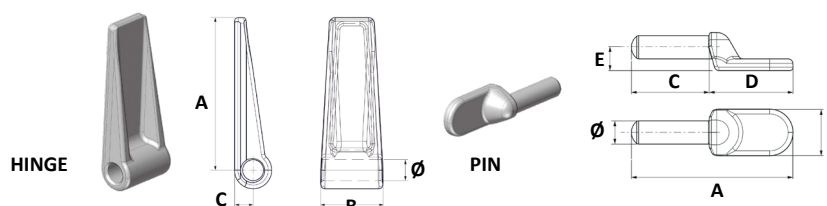
DOUBLE ACTING HINGE KITS												
Kit Part Number	Component Part Number	Description	Qty	Ø1	Ø2	A	B	C	D	E	F	G
				mm								
BK50062	BH08053400	LOCKING PLATE	1	21	23	23	23	20	19	13	33	
	BH01054000	HINGE	1	15	24	62	11	102	45	17	18	7
	BH01054100	HINGE SUPPORT	1	23	18	46	6	79	55	71	41	25



CROWNED HINGES KITS										
Kit Part Number	Component Part Number	Description	Qty	Ø	A	B	C	D	E	
				mm						
BK40095 90mm	BHF1050100	ROUNDED HINGES – LIGHT	1	12	90	30	10			
	BHF1058300	PIN FOR STEEL SIDEBOARDS	1	11	94	28	42	52	13.5	
BK40070 70mm	BH01050000	ROUNDED HINGES – SHORT	1	17	70	40	13.5			
	BHF1058500	PIN FOR STEEL SIDEBOARDS	1	15	104	30	50	54	15	
BK40123 123mm	BH01050300	ROUNDED HINGES – HEAVY	1	16	123	40	13.5			
	BHF1058500	PIN FOR STEEL SIDEBOARDS	1	15	104	30	50	54	15	



DROPPED SIDE HINGES KITS										
Kit Part Number	Component Part Number	Description	Qty	Ø	A	B	C	D	E	
				mm						
BK60140 140mm	BH01050600	FLAT HINGE - MEDIUM	1	17	140	40	13			
	BHF1058600	PINS FOR STEEL SIDEBOARDS -	1	15	118	30	53	65	16	
BK60190 190m	BH01050800	FLAT HINGES - HEAVY	1	17	190	37	15			
	BHF1058600	PINS FOR STEEL SIDEBOARDS	1	15	118	30	53	65	16	



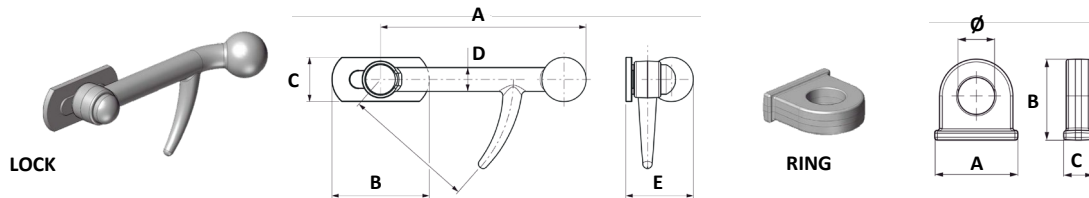
HINGES & CATCHES KITS

BODY HARDWARE

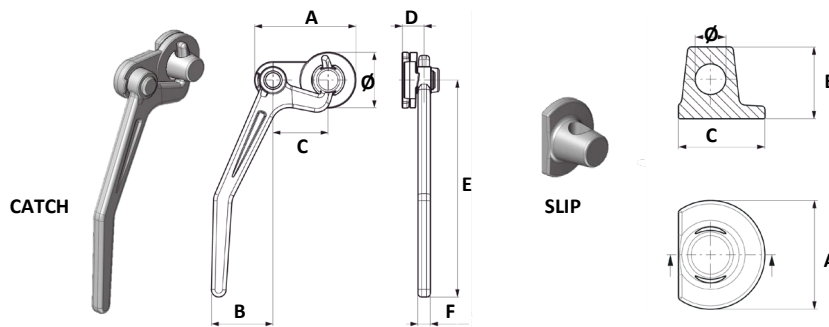
Premium Italian-manufactured body hardware:

- Different sizes available for light, medium, and heavy-duty application

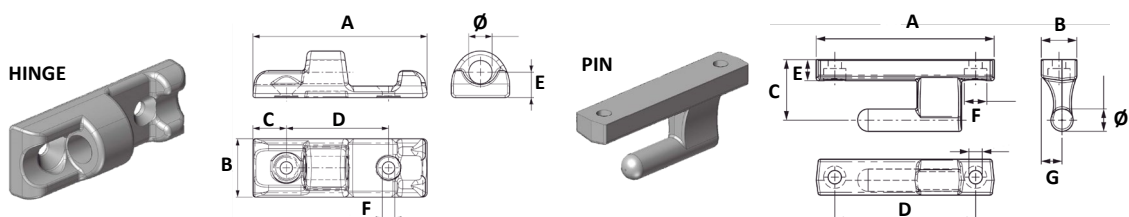
CORNER POST CATCH & EYE KITS									
Kit Part Number	Component Part Number	Description	Qty	Ø	A	B	C	D	E
					mm				
BK10012 12mm	BH02051400DX	LOCKS LIGHT RH	1		120	56	30	13	32
	BH02051400SX	LOCKS LIGHT LH	1		120	56	30	13	32
	BH02051500	RINGS LIGHT 12mm	2	12	30	30	12		
BK10015 15mm	BH02051600DX	LOCK MEDIUM RH	1		145	56	30	15.5	45
	BH02051600SX	LOCK MEDIUM LH	1		145	56	30	15.5	45
	BH02051700	RING MEDIUM 15mm	2	15	33	33	12		
BK10017 17mm	BH02051800DX	LOCK HEAVY RH	1		146	80	37	22.5	45
	BH02051800SX	LOCK HEAVY LH	1		146	80	37	22.5	45
	BH02051900	RING HEAVY 17mm	2	17	41	42	16		



SIDEBOARD CATCHES KIT										
Kit Part Number	Component Part Number	Description	Qty	Ø	A	B	C	D	E	F
					mm					
BK70061	BH02072500	SIDEBOARD CATCH RH	1	60	110	67	60	24	235	13.5
	BH02072600	SIDEBOARD CATCH LH	1	60	110	67	60	24	235	13.5
	BH02072700	SLIP	2	17	61	40	48			



BOLT-ON HINGES KIT											
Kit Part Number	Component Part Number	Description	Qty	Ø	A	B	C	D	E	F	G
					mm						
BK80015	BH08128301	HEAVY HINGE	1	16	119	40	23	70	17.5	8.5	
	BH08128201	HEAVY PIN	1	15	120	24	41	95	14	15	14



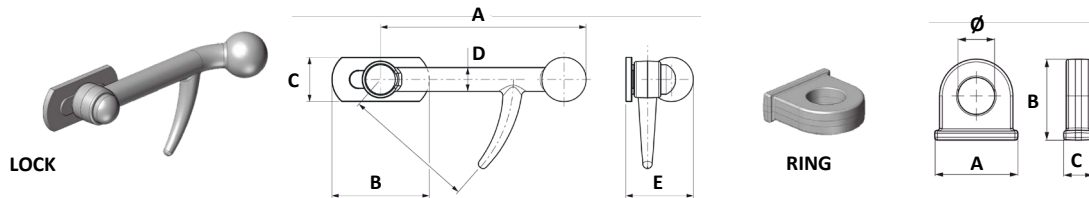
HINGES & CATCHES KITS

BODY HARDWARE

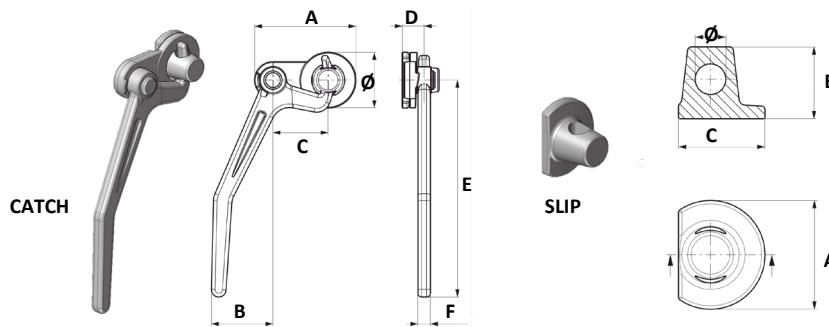
Premium Italian-manufactured body hardware:

- Different sizes available for light, medium, and heavy-duty application

CORNER POST CATCH & EYE KITS									
Kit Part Number	Component Part Number	Description	Qty	Ø	A	B	C	D	E
					mm				
BK10012 12mm	BH02051400DX	LOCKS LIGHT RH	1		120	56	30	13	32
	BH02051400SX	LOCKS LIGHT LH	1		120	56	30	13	32
	BH02051500	RINGS LIGHT 12mm	2	12	30	30	12		
BK10015 15mm	BH02051600DX	LOCK MEDIUM RH	1		145	56	30	15.5	45
	BH02051600SX	LOCK MEDIUM LH	1		145	56	30	15.5	45
	BH02051700	RING MEDIUM 15mm	2	15	33	33	12		
BK10017 17mm	BH02051800DX	LOCK HEAVY RH	1		146	80	37	22.5	45
	BH02051800SX	LOCK HEAVY LH	1		146	80	37	22.5	45
	BH02051900	RING HEAVY 17mm	2	17	41	42	16		



SIDEBOARD CATCHES KIT										
Kit Part Number	Component Part Number	Description	Qty	Ø	A	B	C	D	E	F
					mm					
BK70061	BH02072500	SIDEBOARD CATCH RH	1	60	110	67	60	24	235	13.5
	BH02072600	SIDEBOARD CATCH LH	1	60	110	67	60	24	235	13.5
	BH02072700	SLIP	2	17	61	40	48			



BOLT-ON HINGES KIT											
Kit Part Number	Component Part Number	Description	Qty	Ø	A	B	C	D	E	F	G
					mm						
BK80015	BH08128301	HEAVY HINGE	1	16	119	40	23	70	17.5	8.5	
	BH08128201	HEAVY PIN	1	15	120	24	41	95	14	15	14

