

HOIST SAFETY VALVE

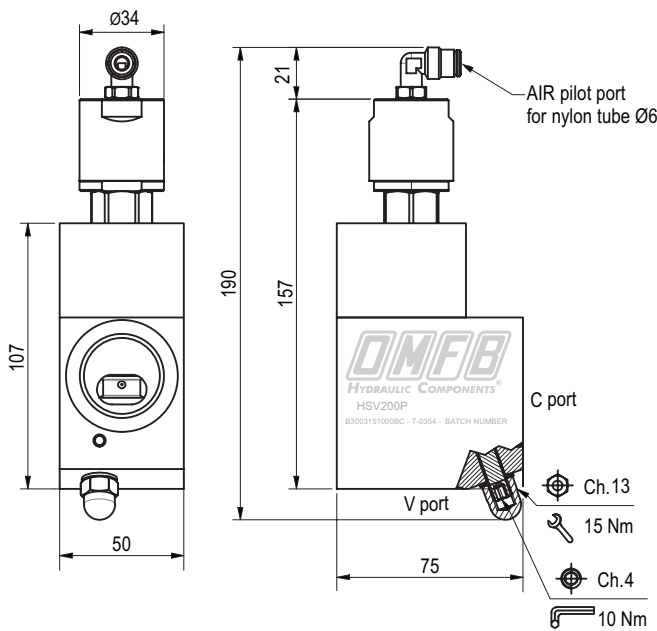
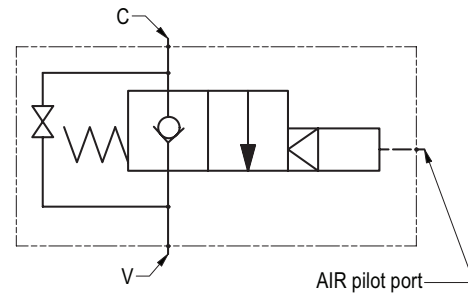
Pneumatically Operated



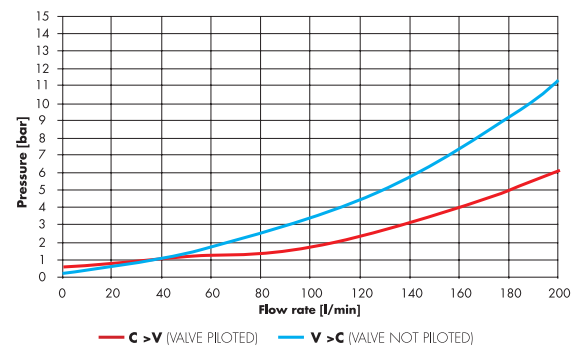
HSV Series valves are manufactured to exacting standards to ensure the highest levels of safety and reliability.

- Pilot-operated design results in minimal pressure-drop and the fastest lowering speeds on the market
- Emergency override feature
- Includes 1/8" to 6mm airline swivel fitting

HYDRAULIC DIAGRAM



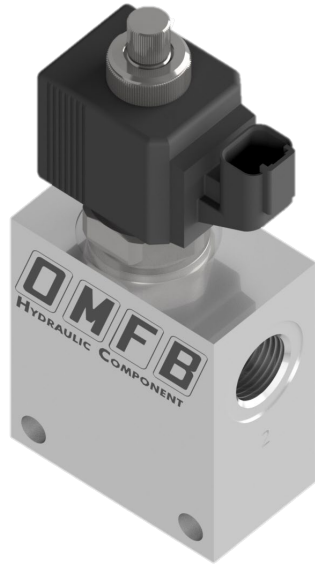
PRESSURE DROP



PRODUCT CODE	MAX. FLOW L/min	MAX. PRESSURE bar	PORTS	
			C & V BSPP	PILOT BSPP
HSV200P	200	250	1"	1/8"

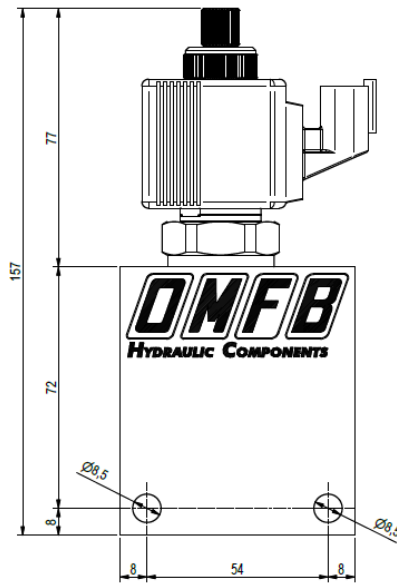
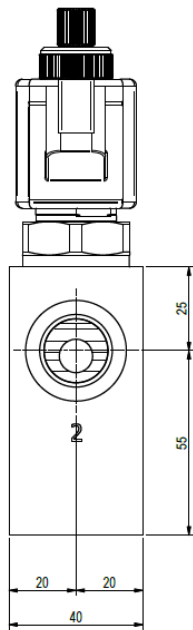
HOIST SAFETY VALVE

Electrically Operated

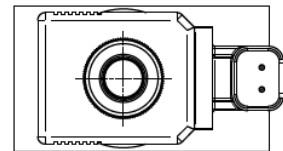
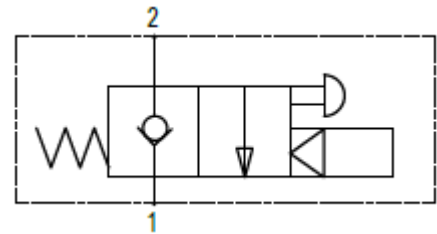


HSV Series valves are manufactured to exacting standards to ensure the highest levels of safety and reliability.

- Low pressure-drop ensures the fastest lowering speed on the market
- Emergency override feature
- Includes reliable 2-pin Deutsch connector



HYDRAULIC DIAGRAM



PRODUCT CODE	VOLTAGE	MAX. FLOW L/min	MAX. PRESSURE bar	PORTS BSPP
HSV120F	12V DC	120	250	1/2"
HSV120G	24V DC			